

**ALLEN & HEATH**

**ALL RANGES**

**LARGE FORMAT  
LIVE SOUND MIXERS**

**SMALL FORMAT  
LIVE SOUND MIXERS**

**DJ PRODUCTS**

**SOUND MANAGEMENT  
SYSTEMS**



**ALLEN & HEATH**

Kernick Industrial Estate  
Penryn · Cornwall  
TR10 9LU · UK

tel: +44 (0)1326 372070

fax: +44 (0)1326 377097

email:

[sales@allen-heath.com](mailto:sales@allen-heath.com)

website:

[www.allen-heath.com](http://www.allen-heath.com)

Allen & Heath reserve the right to alter any  
information supplied in this document or any  
other documentation supplied hereafter.

issue - 4/ AP5906



# LARGEFORMAT LIVESOUND MIXERS

**ALLEN & HEATH**



# ML 3000

This compact VCA mixer is packed with all the tools you need for professional live sound mixing. The ML3000 offers an I/O capability and feature set that satisfies the latest trends in live sound engineering, in particular the growing number of inputs and outputs for multi-speaker house and monitor systems, demands of stereo in-ear monitoring, 3 speaker LCR imaging, advanced grouping and automation.



## FEATURES

- 24+2, 32+2, 40+2, 48+2 channel frames
- 2 extra dual input stereo channels fitted as standard
- B option for 4 extra dual stereo in place of mono channels
- 8 VCA groups for level control
- Dual functionality for mixing front-of-house, stage monitors or both
- Monitor mode provides auxes with faders, inserts, mutes and meters
- LCRplus panning available from channels and groups
- 4 audio groups for inserting processors or feeding the matrix
- 8 aux sends plus aux 7-8 stereo mode for creating a true stereo mix
- 8x4 matrix with inserts and external inputs
- 8 mute groups
- 4 band EQ with swept mid range
- Swept 20-400Hz HPF
- Stereos can mix two balanced stereo sources into one channel
- 128 snapshot memories for MIDI/RS232 recall of VCA assignments and mutes
- **ALLEN&HEATH ML Archiver** software available for PC control of the memories
- Talkback to any of the fader masters and LCR outputs



## ML3000

is a dual function, LCRplus, 4 group, 8 aux, 8x4 matrix, VCA console.

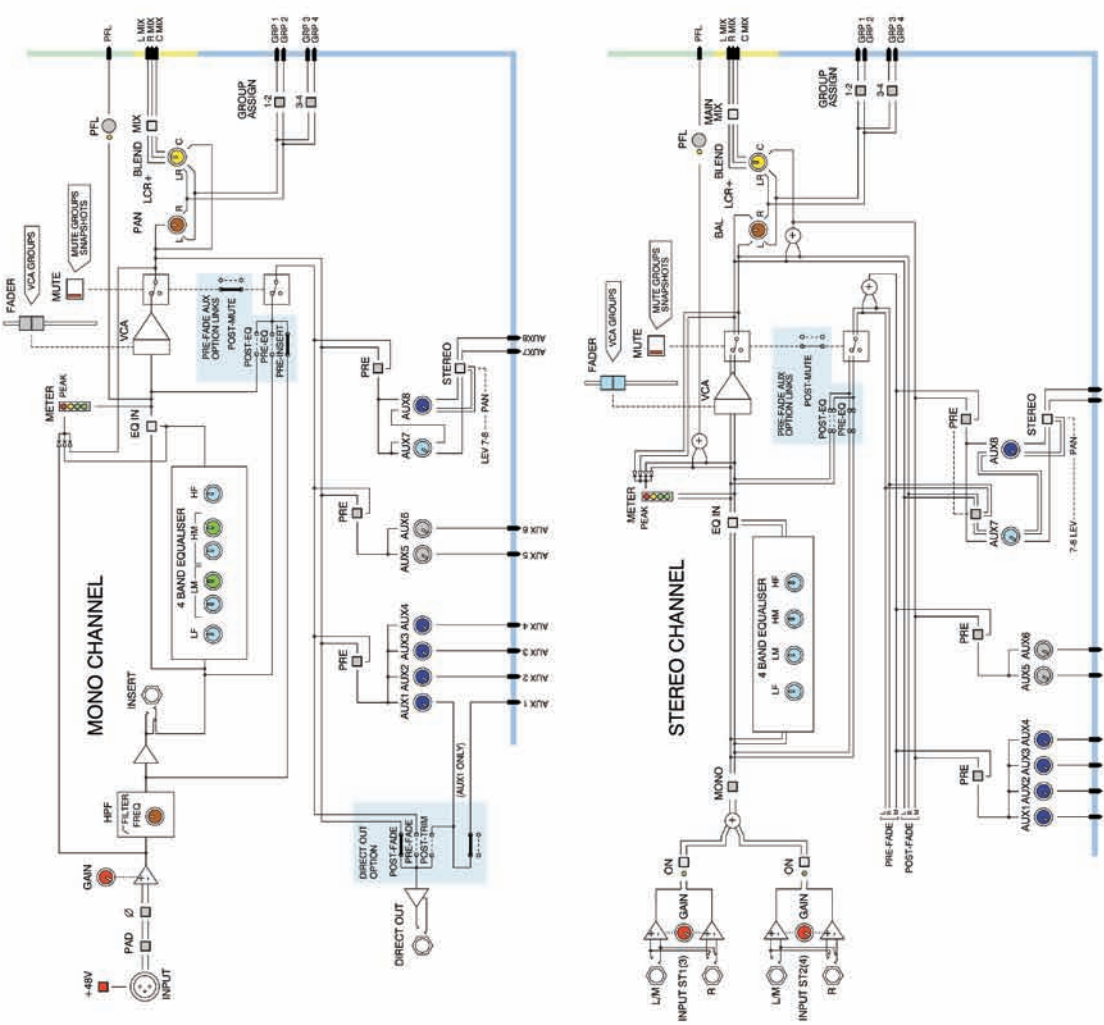
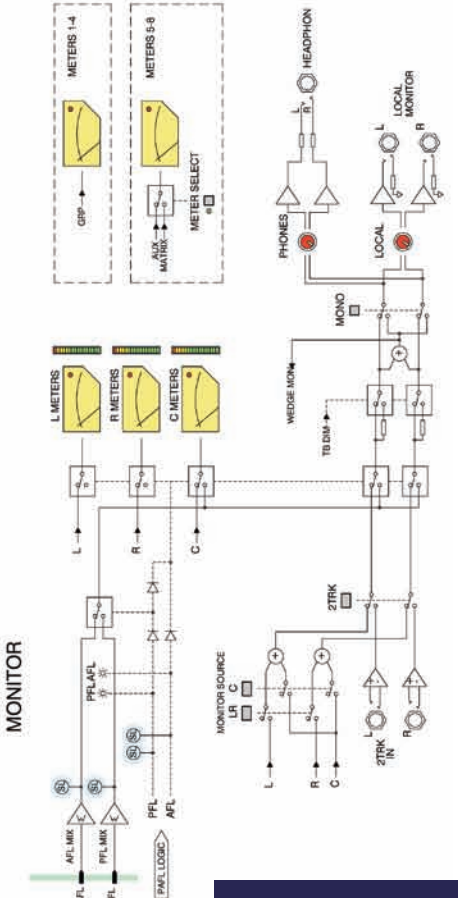
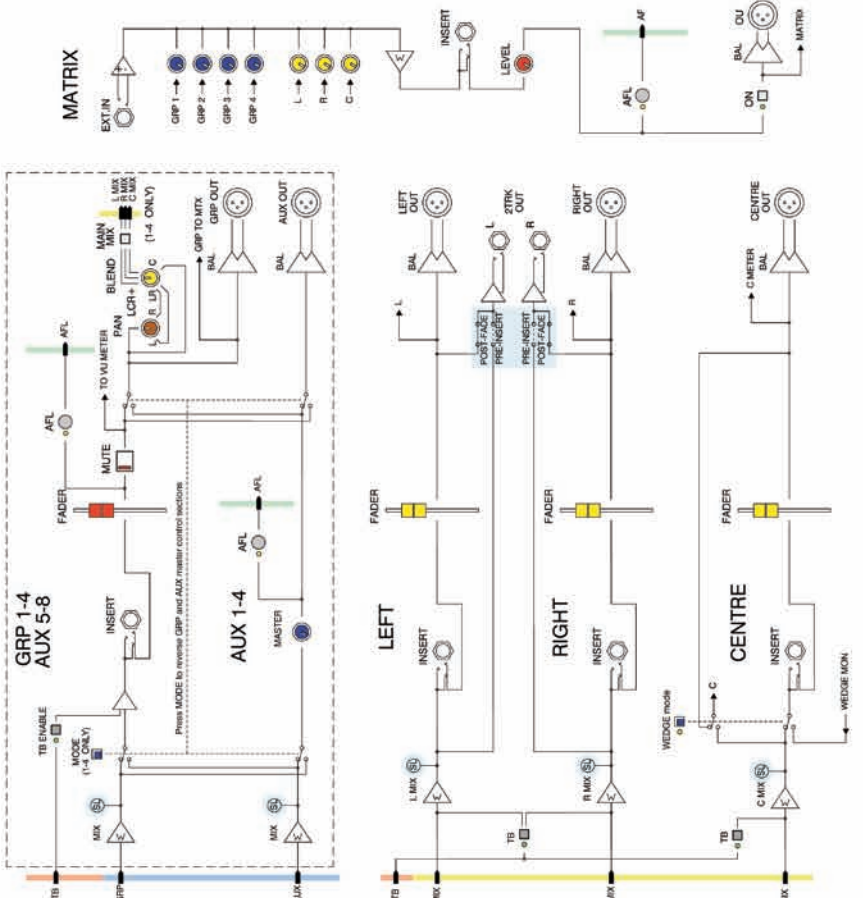
Frame sizes range from 24+2 to 48+2 channels, with B option for more stereo channels.



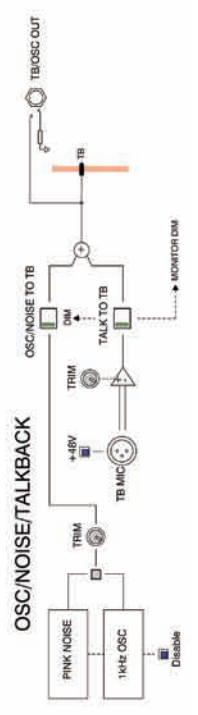
- PFL override AFL for quick input/output monitoring
- Fader driven engineers listen wedge feed with insert in monitor mode
- Simultaneous LED bar and moving coil VU metering of all main outputs and P/AFL
- Channel meters
- Separate stereo headphones and local monitor control
- LCR to stereo engineers monitor capability
- 1kHz oscillator / pink noise generator
- Preamp input capability for mic or line up to +30dBu
- Main, group, aux and matrix outputs on balanced XLR
- 4-pin XLR lamp sockets – **ALLEN & HEATH** LEDlamp available
- Uses RPS11 high performance external linear power supply
- Optional RPSD2 dual supply combiner to link another RPS11 for backup
- Optional Sys-Link V2 input/output option to link consoles for more channels
- Internal aux jumper options for pre-insert, pre/post-EQ, pre/post-mute settings
- Internal direct output jumper options for pre/post-fade or to use aux 1 level trim







# ML3000



# GL3800

The GL3800 features an enhanced capability for the latest in live sound mixing, and is truly dual-function with all 10 auxes configurable to fader control with insert point and XLR drive. Available in frame sizes up to 48 channels, with the choice of all mono, 4 or 8 stereo channels, the mixer also includes a meterpod with illuminated VU's, and front and rear ident strips.



## FEATURES

- 24, 32, 40, and 48 channel frames
- A,B,C,D mono/stereo channel options
- LR and M main mixes
- 8 Audio groups with pan and routing to LR and M
- 10 Auxes including a dedicated stereo send with level and pan controls
- 2 multi-function stereo channels each with mic and stereo line inputs
- 2 extra dual stereos provide 4 summed or independent stereo returns
- Fully featured 12x4 Matrix
- Proper dual functionality for front-of-house, monitor mixing, or both
- Recording capable with channel direct outputs
- M can be used for centre/sub mix, LR mono sum, or engineers wedge
- Matrix external inputs with level trims and common input capability
- Stereo channel mic inputs can cross patch into matrix for ambience feed
- Responsive 4 band, 2 sweep EQ
- 100Hz channel high pass filters
- Individual phantom power and polarity switching
- Integral meterpod with 11 LED-illuminated, moving coil VU meters
- Wide angle LED channel and master meters
- Dedicated stereo monitor meters
- Per channel pre/post fader aux switching for full flexibility
- Front panel pre/post-EQ switches for user preference
- Mutes on all fader masters
- 100mm premium grade dual rail faders as used on the top-of-the-range ML Series

**GL3800** is a large format, dual function, LR, M, 8 group, 10 aux, 12x4 matrix console. Frame sizes range from 24 to 48 channels, with A,B,C,D options for more stereo channels.

This great sounding, well featured console has a familiar, walk-up-and-go layout and responsive feel, giving the engineer the very best of analogue console engineering.

- A = all mono channels
- B = 4 stereos to right of masters
- C = 4 stereos on far right side
- D = 8 stereos on far right side



- Assignable talkback to all outputs, includes a talk switch latch mode
- 1kHz oscillator / pink noise generator with patchable external output
- 2-track monitoring and replay to LR
- 3 headphones/earpiece sockets and local monitor outputs
- Electronically balanced XLR outputs with +26dBu drive capability
- Preamp 74dB range with +34dBu input capability for mic or line
- Ultra low noise mix head amp design
- Uses RPS11 high performance, external linear power supply
- Built-in combiner for redundant backup supply
- Individual circuit card assembly with nipped pots
- Sys-Link V2 console input/output linking option
- 4-pin XLR lamp sockets – **ALLEN & HEATH** LEDlamp available





# GL3800

DUAL FUNCTION AUDIO MIXING CONSOLE

**ST1-2**

48V POLARITY LINE GAIN HPF

HF HM LM LF EQ IN

AUX 1-8 PRE-EQ POST PRE

AUX 9-10 STEREO BAL

PAN MUTE

PFL

**ST3-4**

48V POLARITY LINE GAIN HPF

HF HM LM LF EQ IN

AUX 1-8 PRE-EQ POST PRE

AUX 9-10 STEREO BAL

PAN MUTE

PFL

**MTX 1-4**

EXT IN GRP 1-8

LEVEL MUTE

TALKBACK MIC TALKBACK OSC/NOISE

PHONES UNDER ARMREST

ZTRK REPLAY ZTRK TO LR

POWER L R

MONITOR

MUTE GROUPS M1-M4

**ST5-6**

48V POLARITY LINE GAIN HPF

HF HM LM LF EQ IN

AUX 1-8 PRE-EQ POST PRE

AUX 9-10 STEREO BAL

PAN MUTE

PFL

**ST7-8**

48V POLARITY LINE GAIN HPF

HF HM LM LF EQ IN

AUX 1-8 PRE-EQ POST PRE

AUX 9-10 STEREO BAL

PAN MUTE

PFL

PKI SIG

M L-R 1-2 3-4 M1 M2 M3 M4

GRP 1-8 AUX 1-8

L R M LISTEN

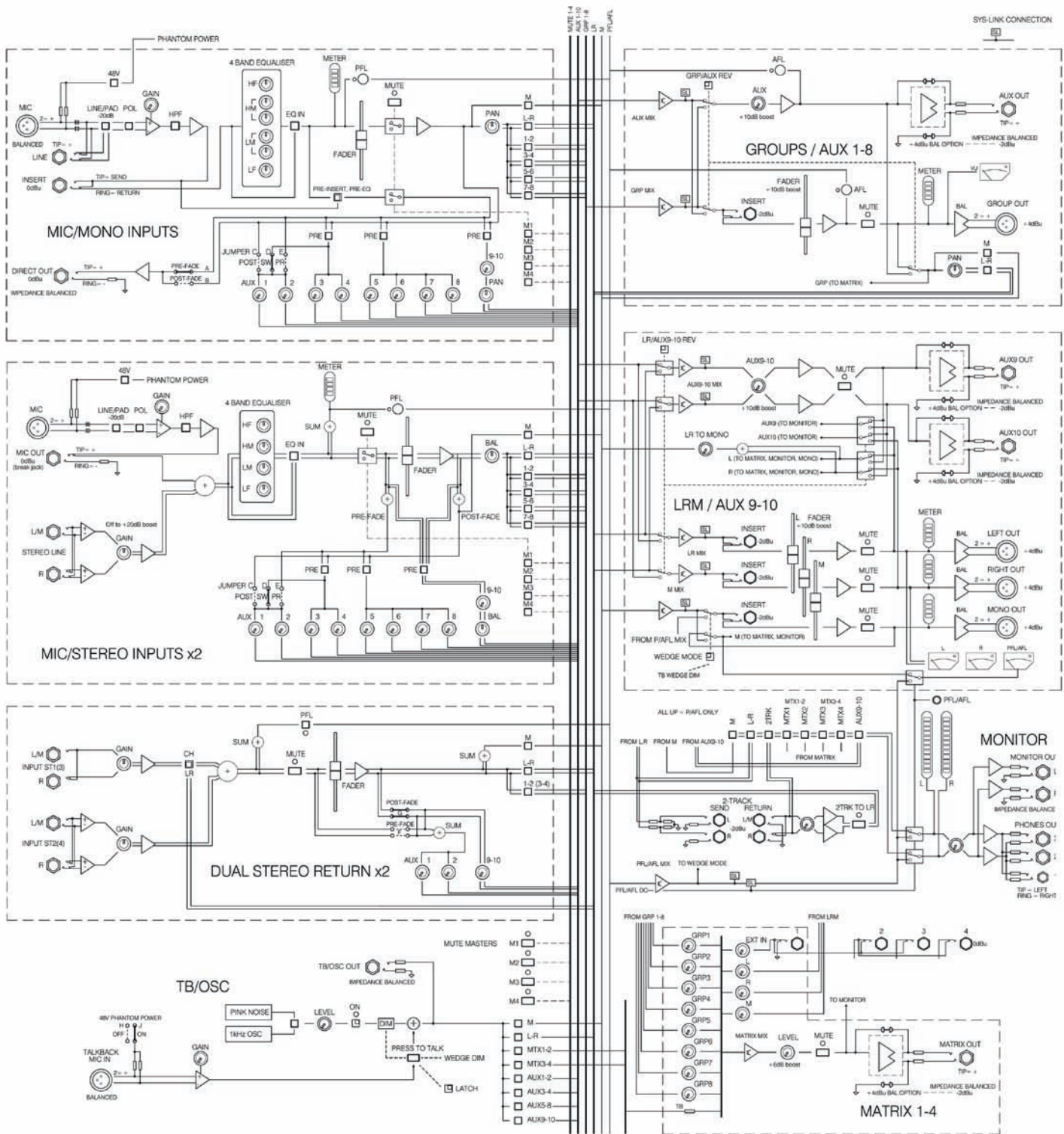
WEDGE MODE

PKI SIG

M L-R 1-2 3-4 M1 M2 M3 M4

PKI SIG

M L-R 1-2 3-4 M1 M2 M3 M4



**GL3800**

# GL2800

This classic dual function mixer offers a well thought out feature set built into a rugged, small footprint chassis ideal for flight casing and venue installation where space is tight. Uniquely at this level, the GL2800 is equipped with 10 auxiliary sends - including a dedicated stereo aux - and using the 12x4 matrix, provides the ideal solution for IEM and stereo recording. 8 audio groups and L,R and M busses are also provided, allowing for full dual functionality with 10 mixes with faders, inserts and XLR drive.



## FEATURES

- 24, 32, 40, 48 and 56 channel frames
- LR and M main mixes
- 8 Audio groups with pan and routing to LR and M
- 10 Auxes including a dedicated stereo send
- 2 multifunction stereo channels each with mic and stereo line inputs
- 2 extra dual stereos provide 4 summed or independent stereo returns
- Fully featured 12x4 Matrix
- Proper dual functionality for FOH/Monitor mixing
- Recording capable with channel direct outputs
- M can be used for centre/sub mix, LR mono sum, or engineers wedge
- Matrix external inputs with level trims and common input capability
- Stereo channel mic inputs can cross patch into matrix for ambience feed
- Responsive 4 band, 2 sweep EQ
- 100Hz channel high pass filters
- Individual phantom power and polarity switching
- Wide angle channel and master meters
- Dedicated stereo monitor meters
- Per channel pre/post fader aux switching for full flexibility
- Internal jumper plugs for pre/post-EQ aux, direct out and other options
- Mutes on all fader masters



And at the heart of this design is the gain structure allowing a whopping 34dBu maximum input capability and a new ultra-quiet mix head amp section, delivering excellent audio performance.-

**GL2800** is a compact, dual function, LR, M, 8 group, 10 aux, 12x4 matrix console. Frame sizes ranges from 24 to 56 channels including 2 stereo channels.

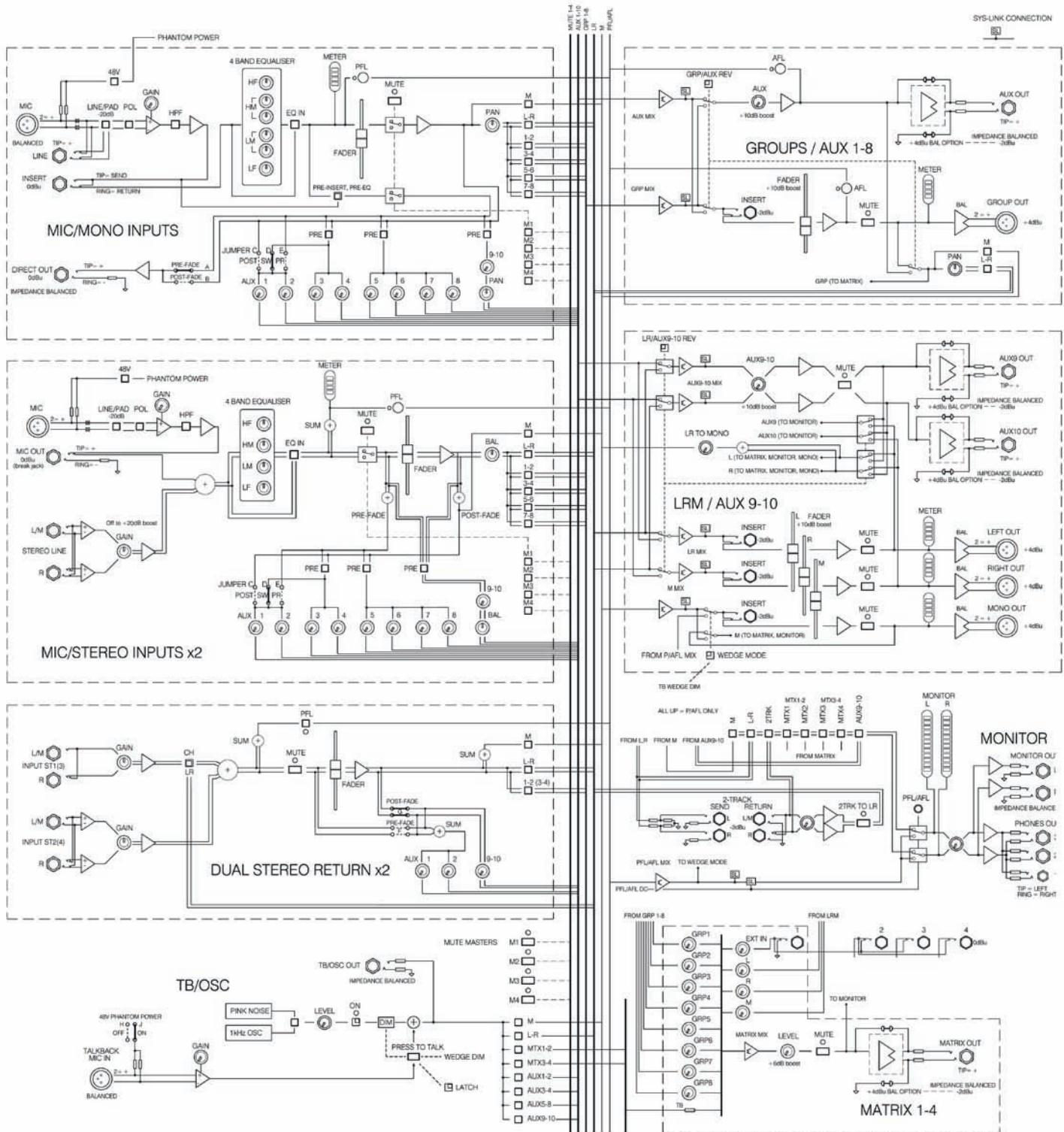


- Assignable talkback to all outputs, includes a talk switch latch mode
- 1kHz oscillator / pink noise generator with patchable external output
- 2-track monitoring and replay to LR
- 3 headphones/earpiece sockets and local monitor outputs
- Electronically balanced XLR outputs with +26dBu drive capability
- Preamp 74dB range with +34dBu input capability for mic or line
- Ultra low noise mix head amp design
- Uses RPS11 high performance external linear power supply
- Built-in combiner for redundant backup supply
- Individual circuit card assembly with nutted pots
- Sys-Link V2 console input/output linking option
- 4-pin XLR lamp sockets – **ALLEN & HEATH** LEDlamp available



# GL2800

The GL2800 mixer features a comprehensive set of controls for 10 main input channels. Each channel includes a +48V phantom power switch, polarity, line pad, and high-pass filter (HPF) options. The input section is equipped with stereo gain controls, HF, HM, LM, and LF frequency sliders, and EQ IN buttons. Each channel also has four auxiliary (AUX) send knobs, a pre-EG (equalization) button, and post-PRE (pre-equalization) buttons. The main processing section for each channel includes a stereo gain knob, a DIRECT TO LR (left-right) button, a MUTE button, a PFL (pre-fader listen) button, and a level meter. The mixer also features a central section with 8 main groups (GRP1-8), each with its own gain, pan, and balance controls, and a level meter. The output section includes a TALKBACK MIC, TALKBACK level control, OSC/NOISE (pink noise and 1kHz osc) buttons, a PHONES output, and a ZTRK REPLAY (zero-trace replay) button. The mixer also has a POWER LED, a MONITOR output, and a MUTE GROUPS section with M1-M4 buttons. The bottom section features a large set of faders for the 8 main groups, L, R, and M (listen) outputs, and a PFL (pre-fader listen) button. The mixer is designed for professional live sound applications, offering a wide range of processing options and a clear, intuitive layout.



**GL2800**

# GL2400

The GL2400 is a mixing classic, industry standard in venues and hire stocklists across the globe. The ultimate 4 group dual-function mixer, the GL2400 is designed for the latest in modern engineering techniques, and every detail in this uniquely capable small footprint mixer has been carefully thought out to provide the very best mixing experience.



## FEATURES

- 16, 24, 32, 40 channel frames
- LR and M main outputs
- 4 Audio groups with pan control
- 6 Auxiliary sends with per-channel pre/post fader switching
- 2 stereo channels each with mic and dual stereo line inputs
- 7x4 Matrix
- Proper dual functionality for FOH and/or Monitor mixing
- M can be configured as LR sum, wedge, or aux-fed sub or C master
- Recording capable with channel direct outputs
- Matrix external inputs with level trims and common input capability
- Stereo channel line inputs can be independently routed to LR
- Stereo channel mic input breakpoints for cross patching into matrix
- Responsive 4 band, 2 sweep EQ
- 100Hz high pass filters
- Individual phantom power and polarity switching
- Dedicated channel, master and stereo monitor meters
- Internal jumper plugs for pre/post-EQ aux, direct out and other options
- Mutes, meters and AFL on all fader masters
- Assignable talkback
- 1kHz oscillator and pink noise generator



Whether mixing FOH, monitors, or both, recording live or in the studio, installed in a busy or house of worship, out on the road touring or earning its keep in rental stock, the GL2400 provides the perfect solution.

**GL2400** is a compact, dual function, LR, Mono sum, 4 group, 6 aux, 7x4 matrix console. Frame sizes range from 16 to 40 channels including 2 dual stereo channels.



- 2-track monitoring and replay to LR
- Headphones and local monitor outputs
- Electronically balanced XLR outputs with +26dBu drive capability
- Preamp 74dB range with +34dBu input capability for mic or line
- Ultra low noise mix head amp design
- Internal power supply with socket for MPS12 backup supply (16 to 32 channel models)
- External RPS11 power supply and socket for another RPS11 as backup (40 channel model)
- 100mm dust protected faders
- Individual circuit card assembly with nutted pots
- Sys-Link V2 console input/output linking option
- 4-pin XLR lamp sockets – **ALLEN & HEATH** LEDlamp available





# GL2400

Channel strips 15, 16, and 17 (left side).

Each strip includes: +48V switch, POLARITY switch, LINE PAD switch, GAIN knob, STEREO switch, ST1-4 level knobs, HF/LM/LF EQ knobs, EQ IN switch, AUX 1-6 knobs, POST PRE switch, PAN knob, BAL knob, PFL knob, and SIG LED.

Central mixer section.

Includes: EXT IN 1-4, GRP 1-4, LEVEL knobs, MUTE buttons, MTX 1-4, AUX 1-6, REV buttons, GRP TO LR, PAN knobs, PKI +6 SIG LEDs, and MUTE buttons.

Mixer section below central mixer.

Includes: AUX 1-6, REV buttons, GRP TO LR, PAN knobs, PKI +6 SIG LEDs, and MUTE buttons.

Mixer section below previous.

Includes: PKI +6 SIG LEDs, MUTE buttons, and AFL buttons.

Master section.

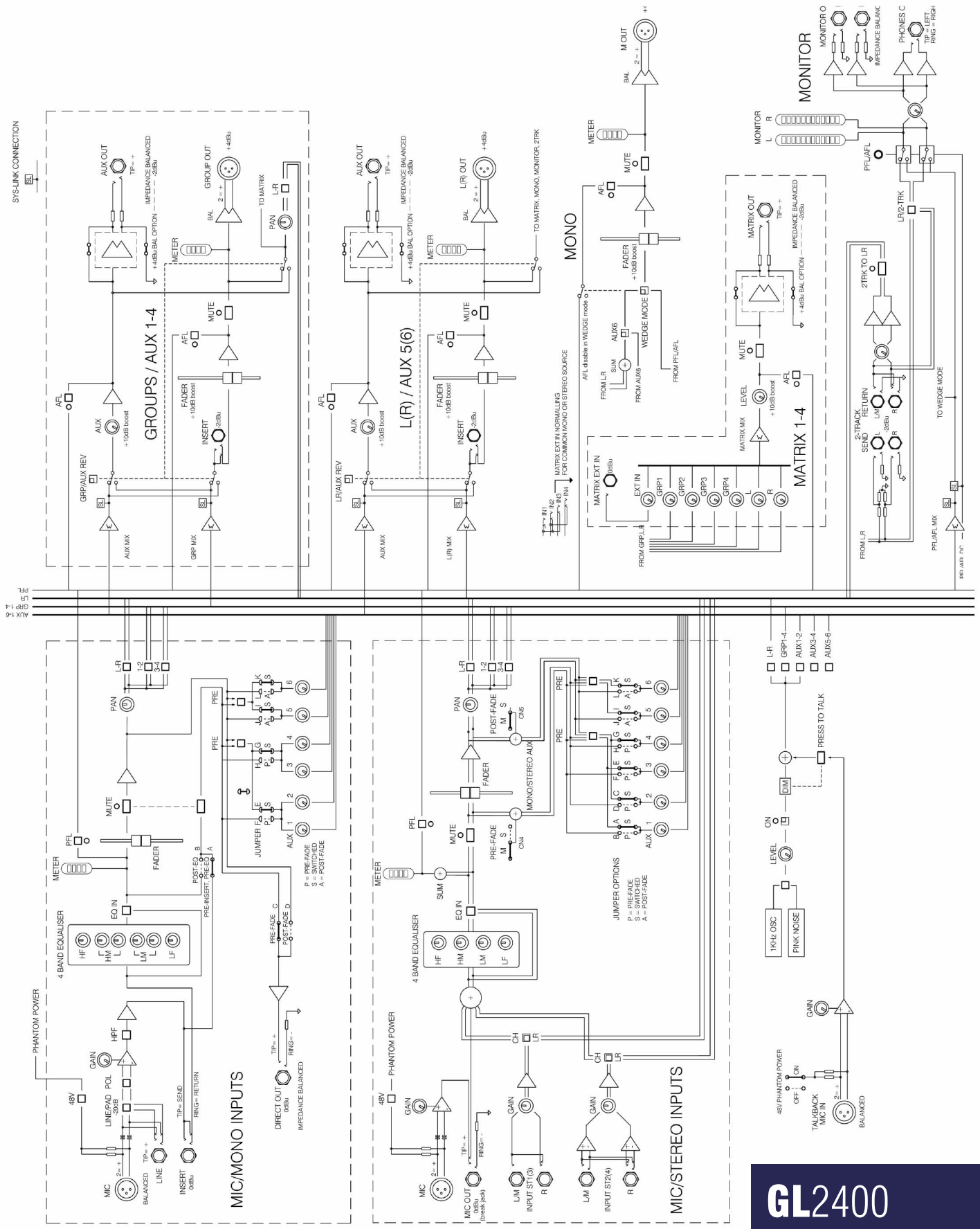
Includes: GRP1-4, L, R, M, AUX5, AUX6, LISTEN, PFL knobs, and SIG LEDs.

Monitoring and control section.

Includes: TALKBACK MIC, PHONES, OSC/NOISE, 2TRK REPLAY, SELECT, L-R, GRP 1-4, AUX 1-2, AUX 3-4, AUX 5-6, MONITOR, TALK, and L-R 2TRK switch.

Channel strips 17, 18, 19, and 20 (right side).

Each strip includes: +48V switch, POLARITY switch, LINE PAD switch, GAIN knob, STEREO switch, ST1-4 level knobs, HF/LM/LF EQ knobs, EQ IN switch, AUX 1-6 knobs, POST PRE switch, PAN knob, BAL knob, PFL knob, and SIG LED.

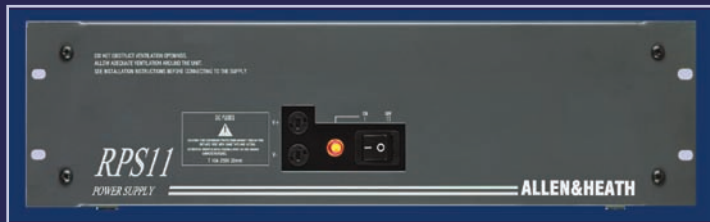


**GL2400**

# Accessories

## PSU FOR ML3000, GL3800, GL2800, GL2400, GL2400-40

The RPS11 is a rugged linear 300W 3U rack-mount power supply with DC cable. A second RPS11 can be connected through the RPSD2 Auto-Switching PSU, which monitors the console's power supply and allows silent switching between the two supplies



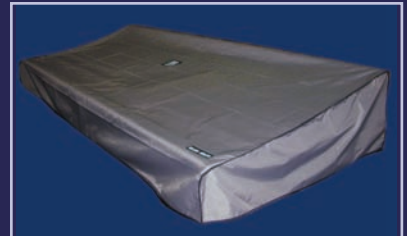
## SOFTWARE

**ML Archiver** software is a Windows application that runs on a PC connected to your console.

It lets you access the 128 onboard snapshots, save the console settings and snapshot memories to a disk file, and is used to archive settings as a backup or for future recall

## DUST COVER

A nylon cover that comes in various sizes, tailored to fit the **ML**'s differing frame dimensions

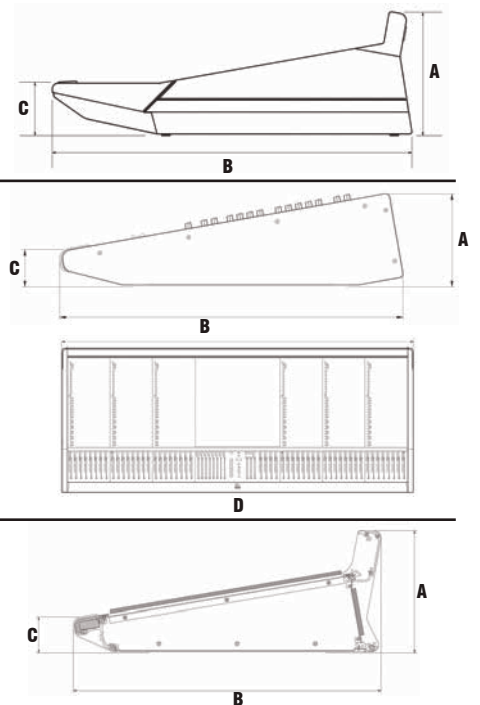


## SYS-LINK - ML3000

The **SYS-LINK V2** option allows the **ML3000** console to be easily linked to other **ALLEN & HEATH** consoles to expand the number of channels in the mix. Fitting requires the removal of connector blanking plates and the installation of two internal circuit cards

## MECHANICAL SPECIFICATIONS

ML Consoles	A mm(")	B mm(")	C mm(")	D mm(")	Weight kg(lb)
<b>ML3000-24</b>	252 (10)	640 (25)	110 (4)	1141 (45)	30 (66)
<b>ML3000-32</b>	252 (10)	640 (25)	110 (4)	1396 (55)	40 (88)
<b>ML3000-40</b>	252 (10)	640 (25)	110 (4)	1651 (65)	50 (110)
<b>ML3000-48</b>	252 (10)	640 (25)	110 (4)	1906 (75)	60 (132)
GL Consoles	A mm(")	B mm(")	C mm(")	D mm(")	Weight kg(lb)
<b>GL2400-416</b>	150 (6)	560 (22)	57 (2)	609 (24)	17 (36)
<b>GL2400-424</b>	150 (6)	560 (22)	57 (2)	817 (32)	22 (47)
<b>GL2400-432</b>	150 (6)	560 (22)	57 (2)	1025 (40)	27 (58)
<b>GL2400-440</b>	150 (6)	560 (22)	57 (2)	1233 (49)	32 (69)
<b>GL2800-824</b>	170 (7)	650 (26)	62 (2)	944 (37)	29 (64)
<b>GL2800-832</b>	170 (7)	650 (26)	62 (2)	1171 (46)	35 (77)
<b>GL2800-840</b>	170 (7)	650 (26)	62 (2)	1398 (55)	41 (90)
<b>GL2800-848</b>	170 (7)	650 (26)	62 (2)	1625 (64)	47 (103)
<b>GL2800-856</b>	170 (7)	650 (26)	62 (2)	1852 (73)	53 (117)
GL Consoles	A mm(")	B mm(")	C mm(")	D mm(")	Weight kg(lb)
<b>GL3800-824</b>	275 (11)	691 (27)	78 (3)	1026 (40)	33 (73)
<b>GL3800-832</b>	275 (11)	691 (27)	78 (3)	1281 (50)	42 (92)
<b>GL3800-840</b>	275 (11)	691 (27)	78 (3)	1536 (60)	51 (112)
<b>GL3800-848</b>	275 (11)	691 (27)	78 (3)	1791 (71)	60 (132)



## CONNECTIONS

<b>XLR Inputs</b>	Female	Pin2 = +ve polarity	Pin3 = -ve polarity	Pin1 = ground	Chassis = chassis
<b>XLR Outputs</b>	Male	Pin2 = +ve polarity	Pin3 = -ve polarity	Pin1 = ground	Chassis = chassis
<b>1/4" TRS Jacks</b>					
Balanced Input, Insert Return	TRS	Tip = +ve polarity	Ring = -ve polarity	sleeve = ground/chassis	
Balanced Output, Insert Send	TRS	Tip = +ve polarity	Ring = -ve polarity	sleeve = ground/chassis	
Insert (unbalanced)	TRS	Tip = send signal	Ring = return signal	sleeve = ground/chassis	
Unbalanced Input	TRS	Tip = signal	Ring = ground	sleeve = ground/chassis	
<b>RCA Phono</b>	Socket	Tip = signal		Outer = ground/chassis	

## LED LAMP

**ALLEN & HEATH** also manufactures LEDlamp, an 18" 4 pin XLR gooseneck console lamp containing a built-in thumbwheel dimmer. The stylish lamp replaces traditional filament console lamps with more user friendly cool white light, and has the additional advantages of lower heat discharge and longer life



# Accessories

## PSU (back-up) FOR GL2400-16, 24 & 32

The MPS12 is a back-up power supply which connects via an internal socket to the existing built-in power supply. An optional rack mount face plate is provided



## SYS-LINK - (all GL Series)

The Sys-Link V2 option allows **GL** mixers to be easily linked to other **ALLEN & HEATH** consoles to expand the number of channels in the mix. Fitting requires the removal of connector blanking plates and the installation of internal circuit cards

## DUST COVER - all GL Series

A nylon cover that comes in various sizes, tailored to fit the **GL**'s various frame dimensions

### TECHNICAL SPECIFICATIONS

	ML3000	GL3800	GL2800	GL2400
<b>OPERATING LEVELS</b>				
<b>Channels</b>	0dBu, +21dB Headroom	0dBu, +20dB Headroom	0dBu, +20dB Headroom	0dBu, +20dB Headroom
<b>Mix</b>	-2dBu, +23dB Headroom	-2dBu, +22dB Headroom	-2dBu, +22dB Headroom	-2dBu, +22dB Headroom
<b>Main Outputs</b>	0dBu	+4dBu	+4dBu	+4dBu
<b>Maximum output</b>	+23dBu	+26dBu	+26dBu	+26dBu
<b>Mic Pre-Amp Sensitivity</b>	-60 to +10dBu	-60 to +14dBu	-60 to +14dBu	-60 to +14dBu
<b>FREQUENCY RESPONSE (20Hz-30kHz)</b>				
<b>Mic to Main output (+40 dB)</b>	+0/-0.5dB	+0/-0.5dB	+0/-0.5dB	+0/-0.5dB
<b>Line to Main output (0dB)</b>	+0/-0.5dB	+0/-0.5dB	+0/-0.5dB	+0/-0.5dB
<b>DISTORTION at 1kHz +14dBu out</b>				
<b>THD + Noise (mic in +40dB gain)</b>	<0.01%	<0.003%	<0.003%	<0.004%
<b>THD + Noise (line in 0dB gain)</b>	<0.01%	<0.005%	<0.005%	<0.006%
<b>COMMON MODE REJECTION @1kHz</b>				
<b>Mic Input +40dB gain</b>	>80dB	>85dB	>85dB	>80dB
<b>Mic Input with Pad 0dB gain</b>	>50dB	>55dB	>55dB	>55dB
<b>CROSSTALK @1kHz</b>				
<b>Adjacent Channel</b>	<-95dB	<-97dB	<-97dB	<-93dB
<b>Mute Shutoff</b>	<-90dB	<-88dB	<-88dB	<-94dB
<b>Fader Shutoff</b>	<-90dB	<-90dB	<-90dB	<-90dB
<b>NOISE PERFORMANCE (22Hz-22kHz unweighted)</b>				
<b>Mic EIN with 150ohm source</b>	-128dB	-128dB	-128dB	-128dB
<b>Residual output noise - main outputs</b>	<-98dBu	<-98dBu	<-98dBu	<-98dBu
<b>Main Mix noise (nothing routed)</b>	<-94dBu	<-91dBu	<-91dBu	<-92dBu
<b>Main Mix noise (24 channels routed)</b>	<-82dBu (82dB S/N)	<-86dBu (90dB S/N)	<-86dBu (90dB S/N)	<-86dBu (90dB S/N)
<b>CONNECTION IMPEDANCES</b>				
<b>Mic Inputs</b>	22k ohms	2k ohms	2k ohms	2k ohms
<b>Line Inputs</b>	>10k ohms	>10k ohms	>10k ohms	>10k ohms
<b>Outputs</b>	<75 ohms	<75 ohms	<75 ohms	<75 ohms
<b>EQUALISATION</b>				
<b>Gain (each band)</b>	+/- 15dB	+/- 15dB	+/- 15dB	+/- 15dB
<b>Mono Channel Low Frequency</b>	Shelf 60Hz	Shelf 80Hz	Shelf 80Hz	Shelf 80Hz
<b>Mono Channel Low Mid Frequency</b>	35Hz - 1kHz Q=2	35Hz - 1kHz Q=1.8	35Hz - 1kHz Q=1.8	35Hz - 1kHz Q=1.8
<b>Mono Channel High Mid Frequency</b>	500Hz-15kHz Q=2	500Hz-15kHz Q=1.8	500Hz-15kHz Q=1.8	500Hz-15kHz Q=1.8
<b>Mono Channel High Frequency</b>	SShelf 12kHz	Shelf 12kHz	Shelf 12kHz	Shelf 12kHz
<b>Stereo Channel Frequencies</b>	60Hz,250Hz,2.5kHz,12kHz Q=1.8	60Hz,250Hz,2.5kHz,12kHz Q=1.8	60Hz,250Hz,2.5kHz,12kHz Q=1.8	60Hz,250Hz,2.5kHz,12kHz Q=1.8
<b>Filter (mono input)</b>	SSwept Off - 400Hz	Switch 100Hz	Switch 100Hz	Switch 100Hz
<b>METERING</b>				
<b>Reading referred to Main outputs</b>	00VU = 0dBu	0VU = +4dBu	0VU = +4dBu	0VU = +4dBu
<b>Peak indication threshold</b>	5dB before clipping	5dB before clipping	5dB before clipping	5dB before clipping
<b>SYSTEM</b>				
<b>Lamp connectors</b>	3 x 4pin XLR-F	2 x 4pin XLR-F	2 x 4pin XLR-F	up to 2 x 4pin XLR-F
<b>Power supply</b>	RPS11	RPS11	RPS11	Internal (16, 24, 32)